

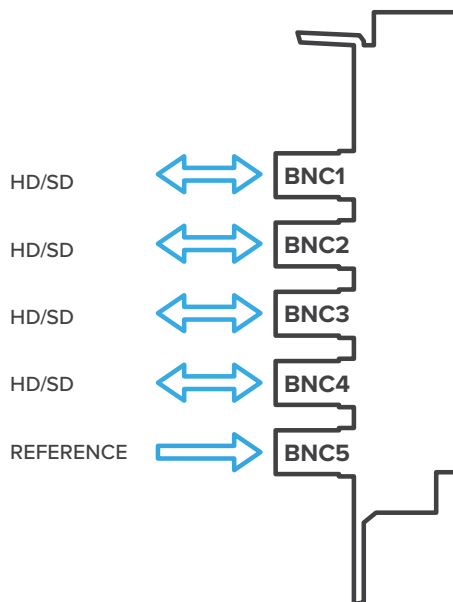
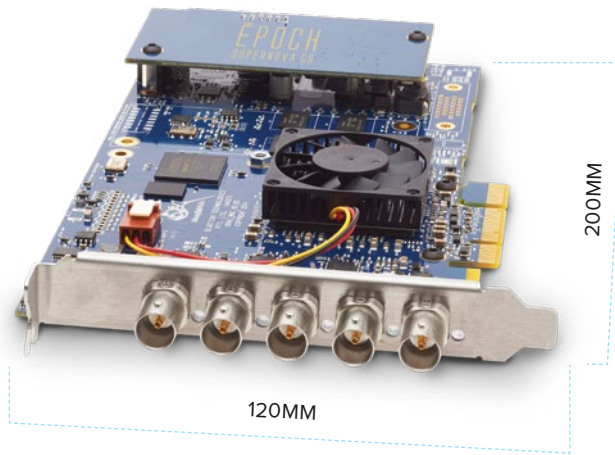


EPOCH SUPERNOVA CG

DATA SHEET

EPOCH | SUPERNOVA CG OFFERS 1.5G PROFESSIONALS COMPLETE FLEXIBILITY TO CHOOSE BETWEEN BNC CONNECTORS FOR HD/SD-SDI I/O WORKFLOWS

EPOCH SUPERNOVA CG



FEATURE	EPOCH 4K SUPERNOVA S+
SD-SDI	4
1.5G HD-SDI	4
Dual Link 1.5G (4:2:2:4/4:4:4:4)	YES
Quad Link 1.5G	YES
Dedicated Reference Input	YES
Low-latency Hardware Keyer	YES
Colour Space Converter	YES
Customisable Pixel Formats	YES
2/3-Length PCIe	YES



SPECIFICATIONS	
Card Size	L=200MM X W=120MM
Internal Clearance (L)	184MM
Height	1 PCIE SLOT
Weight	260G

VIDEO I/O	
SDI VIDEO	
SD-SDI SMPTE 295M	4
1.5G HD-SDI SMPTE 292M	4
3G-SDI (A+B) SMPTE 424M	NO
Dual Link 1.5G SMPTE 372M	YES
Dual Link 3G (A+B)	NO
Quad Link 1.5G SMPTE 2036-1	NO
Quad Link 3G (A+B) SMPTE 2036-1	NO
5th BNC monitor output	NO
Maximum Video Channels	4
12/10/8-bit 4:4:4:4 SDI	YES
12/10/8-bit 4:2:2:4 SDI	YES
GENLOCK	
Bi-Level (sync only, no burst)/Tri-Level Genlock	YES
BF Lock Output	NO

ANCILLARY	
HANC	
RP 188 timecode	YES
16 Channels of Embedded Audio per SDI	YES
Video Payload ID	YES
Custom Packets	YES
VANC	
Closed captioning	YES
3 Line VITC	YES
Custom Packets	YES

AUDIO I/O	
AUDIO SIGNALS	
16 channels of Embedded Audio Input per SDI	YES
8 Channels of AES ID3 Input (Unbalanced, BNC)	NO
16 channels of Embedded Audio Output per SDI	YES
8 Channels of AES ID3 Output (Unbalanced, BNC)	NO
2 channels -10DBU Output (Unbalanced, RCA)	NO
Dolby Digital Pass-through SDI	YES

HARDWARE	
MAJOR HARDWARE FEATURES	
High Performance, 3G Bypass Relays	YES
Fully Programmable 4 x 4 x 33-bit Colour Matrix	YES
12-bit video signal path throughout	YES
Automatic Cross-Locking and intelligent output phasing across formats	YES
LTC I/O	NO
Audio sample rate converters	YES
(MR ²) Master Routing Resource	YES
ISIM (Input Stream Integrity Management)	YES
RS-422 Serial Port	NO
4-lane PCI-Express (8 and 16 lane compatible)	YES
Full Duplex DMA data transfer bandwidth 1.1GB/s	YES
256MB On Board Memory	YES
Hardware Downstream Keyer	YES

VIDEO FORMATS	
SUPPORTED YUV SDI VIDEO MODES	
720 x 486i @ 29.97FPS NTSC	YES
720 x 576i @ 25FPS PAL	YES
1280 x 720p @ 23.976, 24, 25, 29.97, 30, 50, 59.94, 60FPS	YES
1920 x 1080i @ 25, 29.97, 30FPS	YES
1920 x 1080P/PsF @ 23.976, 24, 25, 29.97, 30FPS	YES
1920 x 1080p/PsF @ 48, 50, 59.94, 60FPS	YES
1920 x 1080P/PsF @ 23.976, 24, 25, 29.97, 30FPS	YES
2048 x 1080p/PsF @ 23.976, 24, 25, 29.97, 30FPS	YES
2048 x 1080P/PsF @ 48, 50, 59.94, 60FPS	YES
SUPPORTED RGB SDI VIDEO MODES	
720 x 486i @ 29.97FPS NTSC	YES
720 x 576i @ 25FPS PAL	YES
1920 x 1080i @ 25, 29.97, 30FPS	YES
1920 x 1080P/PsF @ 23.976, 24, 25, 29.97, 30FPS	YES
2048 x 1080p/PsF @ 23.976, 24, 25, 29.97, 30FPS	YES
SUPPORTED HSDL SDI VIDEO MODES	
2048 x 1556PsF @ 14.98, 15FPS	NO
SUPPORTED 4K YUV SDI VIDEO MODES	
3840 x 2160p @ 23.976, 24, 25, 29.97, 30FPS	NO
3840 x 2160p @ 48, 50, 59.94, 60FPS	NO
4096 x 2160p @ 23.976, 24, 25, 29.97, 30FPS	NO
4096 x 2160p @ 48, 50, 59.94, 60FPS	NO
SUPPORTED 4K RGB SDI VIDEO MODES	
3840 x 2160p @ 23.976, 24, 25, 29.97, 30FPS	NO
4096 x 2160p @ 23.976, 24, 25, 29.97, 30FPS	NO
SUPPORTED PIXEL FORMATS	
2VUY, YUVS, BV8, V210, AYUV _ 4224, AYUV _ 4444, YV12, I420	YES
ARGB, BGRA, RGB24, Cineon, DPX, RGB48	YES

CROSS-PLATFORM SUPPORT WITH INDUSTRY-LEADING 3RD-PARTY SOFTWARE



For a comprehensive and up-to-date list of supported software, visit bluefish444.com/software

Bluefish444 | Telephone: +61 3 9682 9477 | Fax: +61 3 9328 2031 | info@bluefish444.com
 For worldwide reseller and distributor contact information, please go to bluefish444.com/contacts